

Features:

- Wall plate cover hides the screws for a clean modern finish
- Built-in spirit level for faster and more accurate installation
- Quick adjust lever locks your preferred tilt angle, even if the screen is knocked or pushed
- NEO cushioned pads protect the TV from scratches and improve audio insulation
- Save space in your room and keep the TV away from children and pets
- Confidently mount your screen with a high 25kg maximum weight limit
- Suits 23" - 50" TVs, compatible with 75x75 - 200x200 VESA sizes
- Includes fixings for solid walls, stud walls and the TV, for convenience
- High quality steel construction with independent testing by SGS
- Reassurance of a 5 year warranty as standard

Places your TV close to the wall for an attractive modern appearance and saves space in your room. It is easily adjusted so you can watch in comfort and avoid glare. The screen can turn left and right (-/+25°) and can be tilted up and down (-5/+15°) with a convenient quick adjust lever, which lifts to unlock the tilt angle and then locks it again once pressed down. Includes a wall plate cover to hide the screws and a built-in spirit level for accurate installation. The turn and tilt features also give easier access to cables, so you can quickly connect new devices. NEO cushioned pads protect the TV from scratches and provide insulation for improved audio. Compatible with VESA sizes 75x75 - 200x200mm.

Technical Specifications:

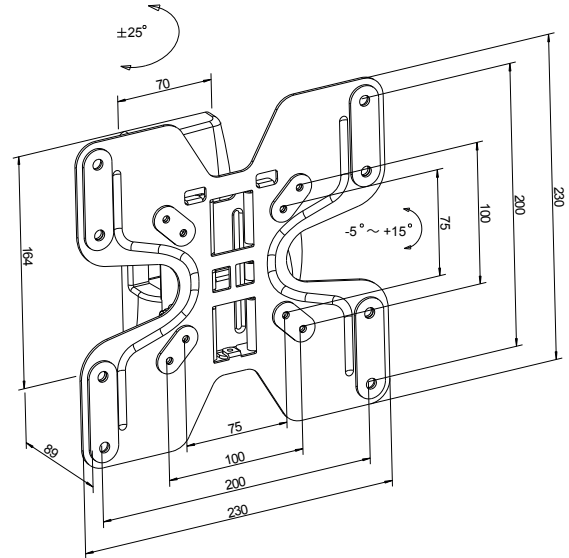
Max Load	Distance from wall (Folded)	Distance from wall (Extended)	Swivel Range	Tilt Range	No of Articulation Points	Mounting Pattern	VESA Compatible
25Kg/ 55lbs	89mm/ 3.5"	n/a n/a	±25°	-5°/+15°	2	Single Stud & Solid Wall	75x75 to 200x200



Packed image



Line drawing



All dimensions are in mm

Packaging Information:

Product Number	Description	Product Packaging		Outer Packaging		
		Type	Barcode	Type	Qty in Box	Barcode
LN2ST200-RO	Tilt & Turn TV Wall Mount	Colour Gift Box	5015056591674	Brown Outer with Label	6	05015056544274

Weight & Dimensions:

Product		Product Box			Outer Box			
Extended	Folded	Net Weight	Dimensions	Gross Weight	Cubic	Dimensions	Gross Weight	Cubic
23 x 23 x 8.9 cm	n/a	1.43kg	24.5 x 23.5 x 9.5 cm	1.62kg	0.0055m ³	30.5 x 26 x 50.5 cm	10.2kg	0.04m ³
9.06" x 9.06" x 3.50"	n/a	3.15lbs	9.65" x 9.25" x 3.74"	3.57lbs	0.1932ft ³	12.01" x 10.24" x 19.88"	22.49lbs	1.4142ft ³