

**Features:**

- Safety locking screws keep the TV securely attached for total peace of mind
- Built-in spirit level makes mounting the TV faster and more accurate
- Easy hook-on installation method is simple to follow, fast and secure
- NEO cushioned pads protect the TV from scratches and improve audio insulation
- Save space in your room and keep the TV away from children and pets
- Confidently mount your screen with a high 60kg maximum weight limit
- Suits 32" - 70" TVs, compatible with 100x100 - 400x400 VESA sizes
- Includes fixings for solid walls, stud walls and the TV, for convenience
- High quality steel construction with independent testing by SGS
- Reassurance of a 5 year warranty as standard

Get a clean modern look and reduce glare and reflections: the advanced tilt feature (-/+15°) lets you adjust and lock the TV at the best viewing angle. Perfect for when the screen is higher than you, such as above a fireplace. The TV can also be moved left or right along the rail, so you can fine-tune the final position on the wall. Features NEO cushioned pads to protect your TV from marks and scratches and to provide extra insulation for reduced vibration and improved audio. The mount is fitted in two parts - one to the TV, one to the wall. Simply lift and hook the TV onto the wall mount and then tighten the two locking screws to secure it. Compatible with VESA sizes 100x100 - 400x400mm.

**Technical Specifications:**

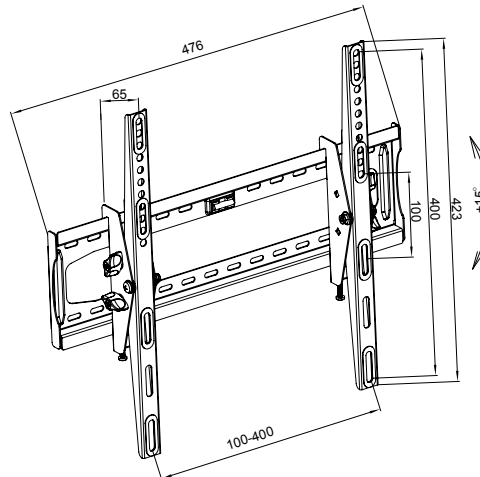
Max Load	Distance from wall (Folded)	Distance from wall (Extended)	Swivel Range	Tilt Range	No of Articulation Points	Mounting Pattern	VESA Compatible
60Kg/ 132lbs	65mm/ 2.6"	n/a n/a	n/a	-/+15°	1	Double Stud & Solid Wall	100x100 to 400x400



**Packed image**



**Line drawing**



All dimensions are in mm

**Packaging Information:**

Product Number	Description	Product Packaging		Outer Packaging		
		Type	Barcode	Type	Qty in Box	Barcode
LN2RPT400-RO	Variable Tilt TV Wall Mount	Colour Gift Box	5015056593005	Brown Outer with Label	4	05015056544298

**Weight & Dimensions:**

Product		Net Weight	Product Box			Outer Box		
Extended	Folded		Dimensions	Gross Weight	Cubic	Dimensions	Gross Weight	Cubic
47.6 x 42.3 x 6.5 cm	n/a	1.74kg	15 x 49.5 x 7 cm	2.02kg	0.0052m <sup>3</sup>	18 x 30.5 x 51 cm	8.52kg	0.028m <sup>3</sup>
18.74" x 16.65" x 2.56"	n/a	3.84lbs	5.91" x 19.49" x 2.76"	4.45lbs	0.1835ft <sup>3</sup>	7.09" x 12.01" x 20.08"	18.78lbs	0.9888ft <sup>3</sup>