



TECHNICAL DATA SHEET: LR2T600-RO TILTING TV WALL MOUNT


The Essentials Series is a range of **simple**, no-fuss **TV mounts** that offer **fully-featured**, easy to use **functionality** at price points that represent **excellent value for money**.

The range is carefully tailored to cover all **LCD, LED and Plasma TV mounting requirements**.

Our designs offer **reduced package size for improved shipping fills**, reducing your carbon footprint. The product packaging also offers easy **merchandising** with simple to shop communicative icons.

Features:


- Classic Wall Mount design
- Large wall plate allows for flexible mounting options
- Fingertip variable tilt adjustment to reduce screen glare

50"-85" 
127-216CM


40KG

MAX.VESA

600X400

31MM




Technical Specifications:

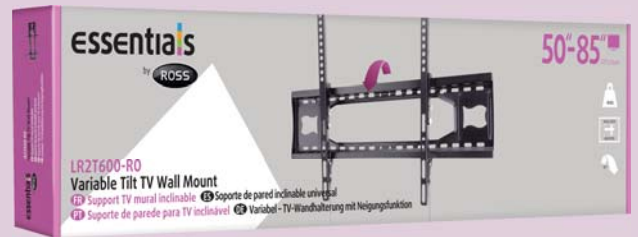
Max Load	Distance from wall (Folded)	Distance from wall (Extended)	Swivel Range	Tilt Range	No of Articulation Points	Mounting Pattern	VESA Compatible
40Kg/ 88lbs	36mm/ 1.4"	n/a n/a	n/a	+/-15°	1	Double Stud & Solid Wall	100x100 to 600x400



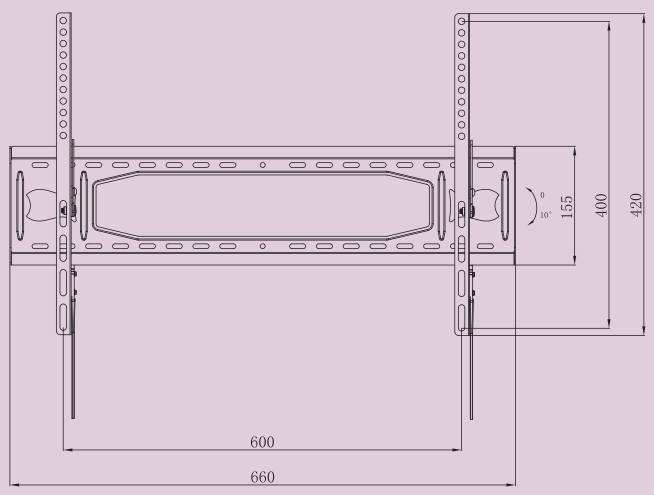


DIMENSIONS & SPECIFICATIONS SHEET: LR2T600-RO TILTING TV WALL MOUNT

Packed image



Line drawing



All dimensions are in mm

Packaging Information:

Product Number	Description	Product Packaging		Outer Packaging		
		Type	Barcode	Type	Qty in Box	Barcode
LR2T600-RO	Tilting TV Wall Mount	Colour Gift Box	5015056 538235	Brown Outer with Label	6	05015056 540412

Weight & Dimensions:

Product			Product Box			Outer Box		
Extended	Folded	Net Weight	Dimensions	Gross Weight	Cubic	Dimensions	Gross Weight	Cubic
66 x 42 x 3.6 cm	n/a	1.44kg	67.5 x 16 x 4 cm	0.2kg	0.0043m ³	71.5 x 28.5 x 18 cm	11.095kg	0.0367m ³
25.98" x 16.54" x 1.42"	n/a	3.168lbs	26.57" x 6.30" x 1.57"	0.44lbs	0.1526ft ³	28.15" x 11.22" x 7.09"	24.409lbs	1.2953ft ³