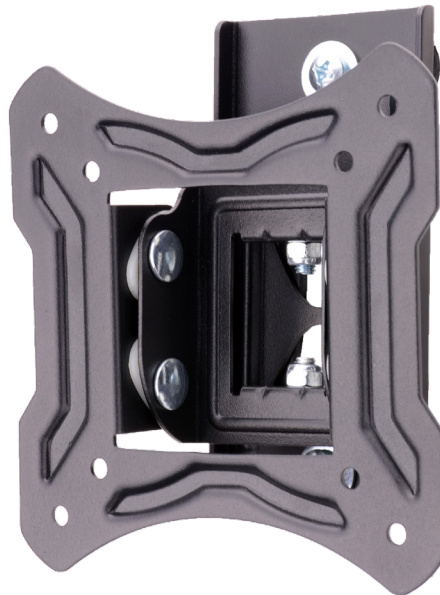
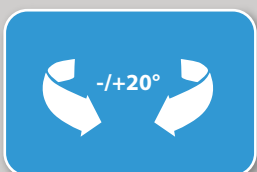
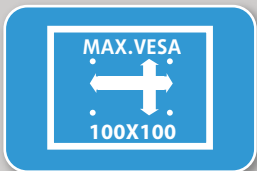
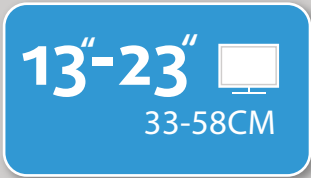




**TECHNICAL DATA SHEET: LE2ST100-RO
TILT & TURN TV WALL MOUNT**



Features:

- Tilt and Turn adjustment with just your fingertips to reduce glare, no tools required
- Compact size saves space in your room and suits TVs and monitors up to 23"
- Slide on installation makes mounting the TV simpler and faster
- Shaped metal plate for extra strength to reliably support your screen
- Can be used to keep a TV or monitor away from children and pets
- Confidently mount your screen with a high 20kg maximum weight limit
- Suits 13" - 23" screens, compatible with 75x75 - 100x100 VESA sizes
- Includes fixings for solid walls, stud walls and the TV, for convenience
- High quality steel construction with independent testing by SGS
- Reassurance of a 5 year warranty as standard

Mounts your TV or monitor close to the wall for an attractive modern appearance. Saves space in your room and easily adjusts so you can watch in comfort and avoid glare. The screen can be tilted up and down (-5/+15°) or turned left and right (-/+20°) at any time and no tools are needed to adjust it. Simply push the edges of your screen with your fingertips to get the perfect viewing angle. Gives a sleek finish with easier access to cables, so you can quickly connect new devices. Compatible with VESA sizes 75x75 - 100x100mm.

Technical Specifications:

Max Load	Distance from wall (Folded)	Distance from wall (Extended)	Swivel Range	Tilt Range	No of Articulation Points	Mounting Pattern	VESA Compatible
20Kg/ 44lbs	55mm/ 2.2"	n/a n/a	+/-20°	+15/-5°	2	Single Stud & Solid Wall	75x75 to 100x100



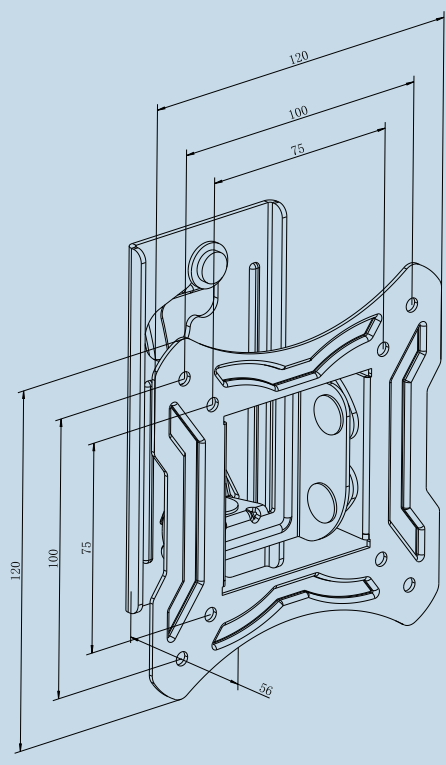


DIMENSIONS & SPECIFICATIONS SHEET: LE2ST100-RO TILT & TURN TV WALL MOUNT

Packed image



Line drawing



All dimensions are in mm

Packaging Information:

Product Number	Description	Product Packaging		Outer Packaging		
		Type	Barcode	Type	Qty in Box	Barcode
LE2ST100-RO	Turn & Tilt TV Wall Mount	Colour Gift Box	5015056 538242	Brown Outer with Label	8	05015056 540429

Weight & Dimensions:

Product			Product Box			Outer Box		
Extended	Folded	Net Weight	Dimensions	Gross Weight	Cubic	Dimensions	Gross Weight	Cubic
14 x 12.5 x 5.5 cm	n/a	0.41kg	15.5 x 13 x 5.5 cm	0.51kg	0.0011m ³	16.5 x 25.5 x 27 cm	4.29kg	0.0114m ³
5.51" x 4.92" x 2.17"	n/a	0.9lbs	6.10" x 5.12" x 2.17"	1.12lbs	0.0391ft ³	6.5" x 10.04" x 10.63"	9.46lbs	0.4012ft ³