



**TECHNICAL DATA SHEET: LE2SA100-RO
TILT & TURN TV WALL MOUNT**




13"-23" 
33-58CM


25KG

MAX.VESA

100X100


-5°/+15°


-/+90°

Features:

- Single arm design gives more viewing angles, so you can turn the TV towards you
- Slide on installation makes mounting the TV simpler and faster
- Safety locking screw keeps the TV securely attached for total peace of mind
- Shaped metal plate for extra strength to reliably support your screen
- Save space in your room and keep the TV away from children and pets
- Confidently mount your screen with a high 25kg maximum weight limit
- Suits 13" - 23" TVs, compatible with 75x75 - 100x100 VESA sizes
- Includes fixings for solid walls, stud walls and the TV, for convenience
- High quality steel construction with independent testing by
- Reassurance of a 5 year warranty as standard

Get the perfect view with tilt and swivel adjustment, designed for monitors and smaller TV's. Extend the screen outwards from the wall for easy access to cables, or push it back neatly against the wall for a clean modern look. Turn your screen left or right (-/+90°) and tilt it up or down (-5/+15°) to get the best viewing angle and reduce glare. Once installed, no tools are needed to change the position or angle of the TV. The mount is fitted in two parts - one to the TV, one to the wall. Simply lift and slide the TV onto the wall mount and then tighten the locking screw to secure it. Compatible with VESA sizes 75x75 - 100x100mm.

Technical Specifications:

Max Load	Distance from wall (Folded)	Distance from wall (Extended)	Swivel Range	Tilt Range	No of Articulation Points	Mounting Pattern	VESA Compatible
25Kg/ 55lbs	62mm/ 2.4"	207mm/ 8.1"	+/-90°	+15/-5°	3	Single Stud & Solid Wall	75x75 to 100x100



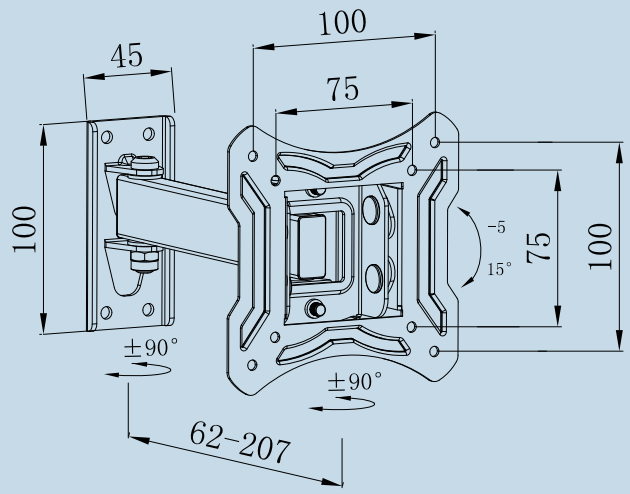


DIMENSIONS & SPECIFICATIONS SHEET: LE2SA100-RO TILT & TURN TV WALL MOUNT

Packed image



Line drawing



All dimensions are in mm

Packaging Information:

Product Number	Description	Product Packaging		Outer Packaging		
		Type	Barcode	Type	Qty in Box	Barcode
LE2SA100-RO	Turn & Tilt TV Wall Mount	Colour Gift Box	5015056 538266	Brown Outer with Label	8	05015056 540443

Weight & Dimensions:

Product			Product Box			Outer Box		
Extended	Folded	Net Weight	Dimensions	Gross Weight	Cubic	Dimensions	Gross Weight	Cubic
12.9 x 12.6 x 20.7 cm	23 x 12.6 x 6.2 cm	0.66kg	14 x 24 x 5.5 cm	0.77kg	0.0018m ³	25 x 26 x 28.5 cm	6.42kg	0.0185m ³
5.08" x 4.96" x 8.15"	9.06" x 4.96" x 2.44"	1.46lbs	5.51" x 9.45" x 2.17"	1.7lbs	0.0653ft ³	9.84" x 10.24" x 11.22"	14.15lbs	0.6542ft ³