



**TECHNICAL DATA SHEET: LE2RTA400-RO
FULL MOTION TV WALL MOUNT**

32"-70" 
81-178CM


40KG

MAX.VESA

400X400


-8°/+18°


-/+90°



Features:

- Three arms for smooth and stable movement so you can see the TV from any angle
- Tool-free adjustment in all directions, so you can instantly adjust the screen's position
- Ideal for a media wall, or to place the screen in a corner to make the most of your space
- Easy hook-on installation is simple to follow and secures with two locking screws
- Can be used to keep the TV away from children and pets
- Confidently mount your screen with a high 40kg maximum weight limit
- Suits 32" - 70" TVs, compatible with 100x100 - 400x400 VESA sizes
- Includes fixings for solid walls, stud walls and the TV, for convenience
- High quality steel construction with independent testing by SGS
- Reassurance of a 5 year warranty as standard

Get complete control of your TV's position with this full motion wall mount for larger screens. Wherever you are in the room, you will have a great view of the action. Ideal if you want to move your screen around, or to place your TV in a media wall or in a corner. Turn the screen left or right (-/+90°) and tilt it up or down (-8/+18°). Extend the TV outwards for easy access to cables, or push it back neatly against the wall. The large mounting rail is compatible with a wide range of VESA sizes and allows extra left-right adjustment. The mount is fitted in two sections - one to the TV, one to the wall. Simply lift and hook the TV onto the wall mount, then tighten the two locking screws to secure it. Includes a cable management strap to keep cables tidy. Compatible with VESA sizes 100x100 - 400x400mm.

Technical Specifications:

Max Load	Distance from wall (Folded)	Distance from wall (Extended)	Swivel Range	Tilt Range	No of Articulation Points	Mounting Pattern	VESA Compatible
40Kg/ 88lbs	100mm/ 3.9"	465mm/ 18.3"	+/-90°	+18/-8°	4	Single Stud & Solid Wall	100x100 to 400x400



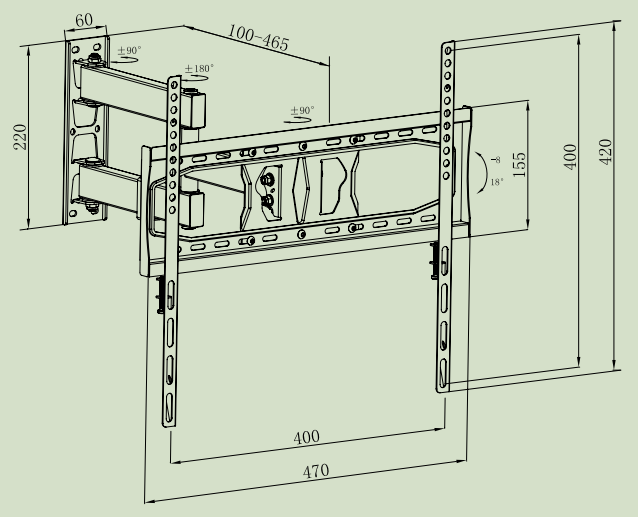


DIMENSIONS & SPECIFICATIONS SHEET: LE2RTA400-RO FULL MOTION TV WALL MOUNT

Packed image



Line drawing



All dimensions are in mm

Packaging Information:

Product Number	Description	Product Packaging		Outer Packaging		
		Type	Barcode	Type	Qty in Box	Barcode
LE2RTA400-RO	Full Motion TV Wall Mount	Colour Gift Box	5015056 538303	Brown Outer with Label	4	05015056 540481

Weight & Dimensions:

Product			Product Box			Outer Box		
Extended	Folded	Net Weight	Dimensions	Gross Weight	Cubic	Dimensions	Gross Weight	Cubic
47 x 42 x 46.5 cm	47 x 42 x 10 cm	3.01kg	23 x 48.5 x 9 cm	3.44kg	0.01m ³	38 x 25.5 x 50 cm	14.44kg	0.0485m ³
18.50" x 16.54" x 18.31"	18.50" x 16.54" x 3.94"	6.64lbs	9.06" x 19.09" x 3.54"	7.58lbs	0.3545ft ³	14.96" x 10.04" x 19.69"	31.83lbs	1.711ft ³