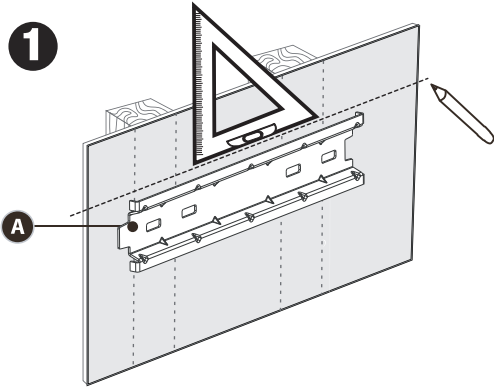


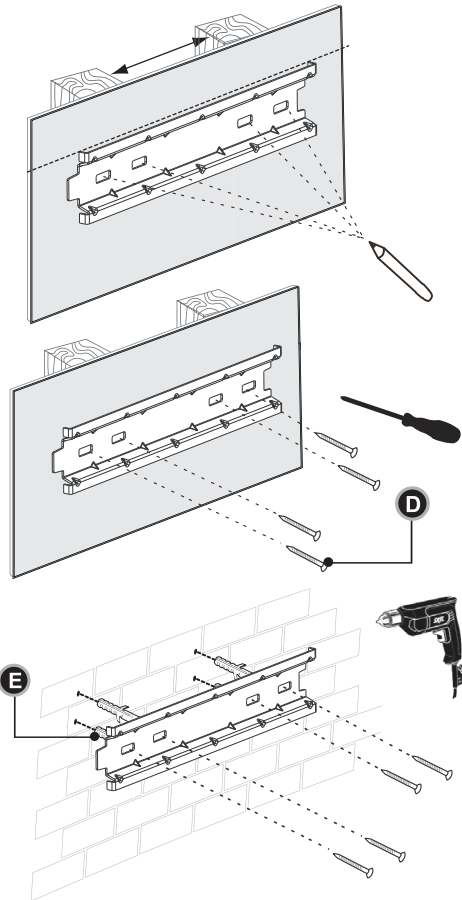
• LOCATE STUDS USING A STUD FINDER •

• DO NOT OVERTIGHTEN! •

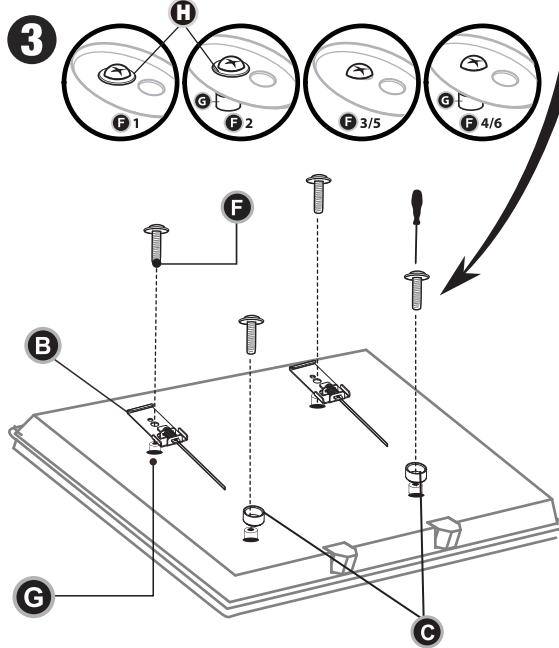
1



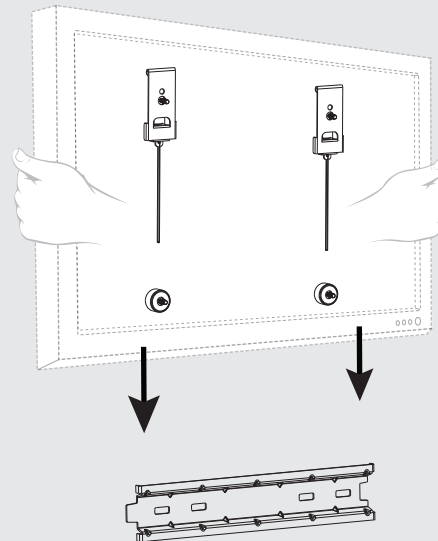
2



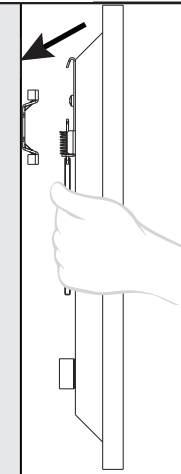
3



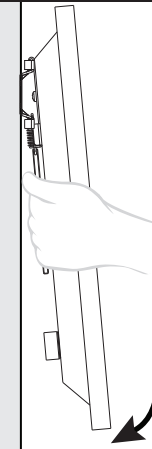
4



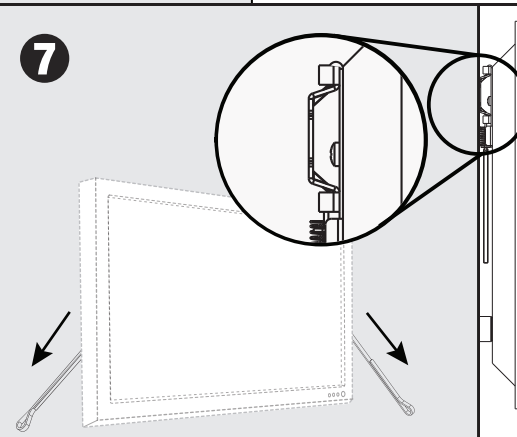
5



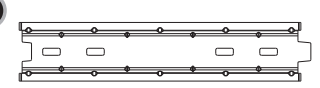
6



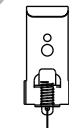
7



A



B



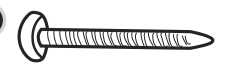
x2

C



x2

D



x4

E



x4

F 1



**M4
x4**

F 2



**M4
x4**

F 3



**M6
x4**

F 4



**M6
x4**

F 5



**M8
x4**

F 6



**M8
x4**

G



x4

H



**M4
x4**