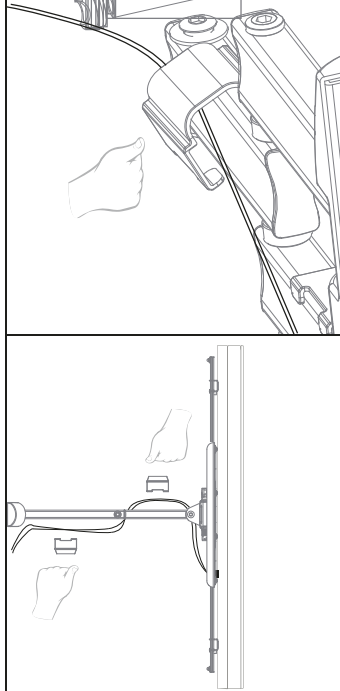
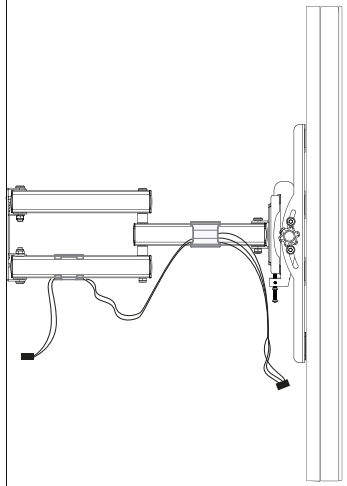
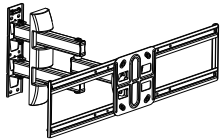


7

Slide the TV onto the bracket ensuring that the TV is centered onto the mount.

SET INCLUDES

A x1 **B x6** **C x6** **D x2** **E x4** **F x2**



G₁ x4



M4

G₃ x4



M5

G₅ x4



M6

G₇ x4

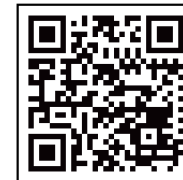
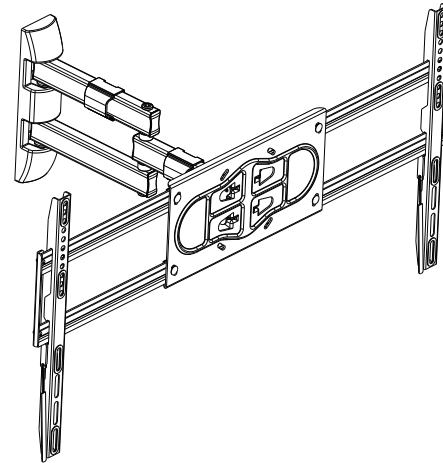


M8



LN2RTA800

Tilt & turn TV wall mount

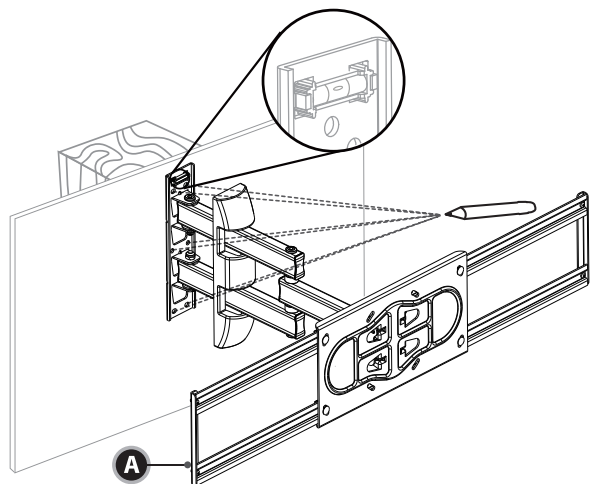
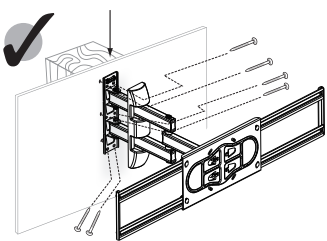


Easy installation:
Scan for installation video
For more information visit:
www.ross.co.uk

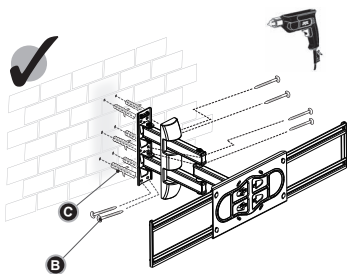
Whilst every effort has been made to ensure that the provided screws are suitable for connecting the mount to the vast majority of TV brands and models, Ross cannot be held responsible on the rare occasion that the supplied screws are not sufficient. Contact us for more information at help@ross.co.uk

1

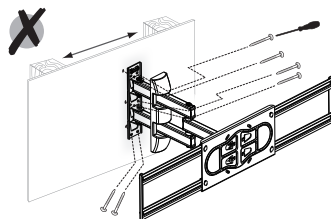
Remove the cover from the base of the mount. before marking the wall where the mount needs to be.

**2**

Using the provided self tapping screws B type). Holding the TV mount starting in the one corner, screw the provided screws (B) into a wooden joist fixing the opposite corners, until the mount is secure onto the wall. Ensure all are tight and secure.



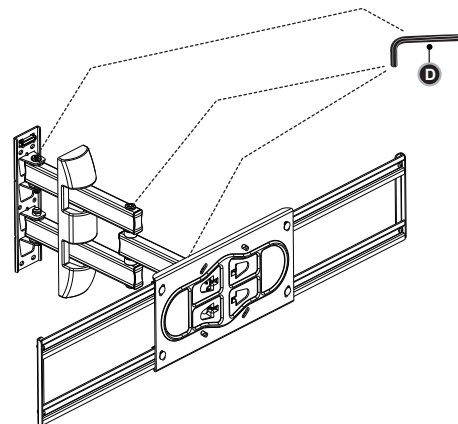
When selecting the position of the TV mount. Ensuring that the mount will be mounted on to a flat surface and is level. Mark the wall where the fixing locations are. Drill the holes using a 10mm masonry bit. Using a hammer knock the the wall plugs (C) provided into the wall. Holding the TV mount start in the one corner screw the provided screws (B) into the wall fixing the opposite corners until the mount is secure onto the wall. Ensure all are tight and secure.



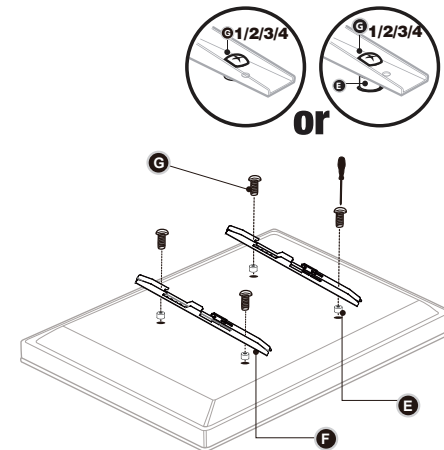
When selecting the position of the TV mount ensure that it is fixed onto a wooden joist or onto a solid wall. Mark the wall where the fixing locations are ensuring that the mount will be mounted on to a flat surface and is level.

3

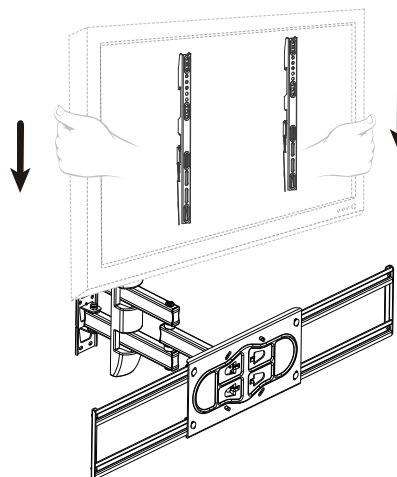
Tighten the screws indicated in the image into the required angle using the provided Allen (D) key refit the cover.

**4**

Taking note which end is the top of the TV, lie your TV onto the floor. Using the assortment of fixings provided select the appropriate ones to hold the mount (G) onto the TV. ensuring that the mount has the threaded hole in the center is at the bottom of the TV ensuring not to over-tighten.

**5**

Hold each side of the TV with the hooks facing away from you.

**6**

Once hooked onto the mount bracket you should hear or feel that the TV clicks into place.

